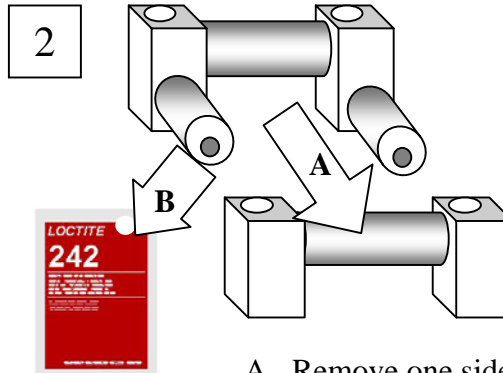
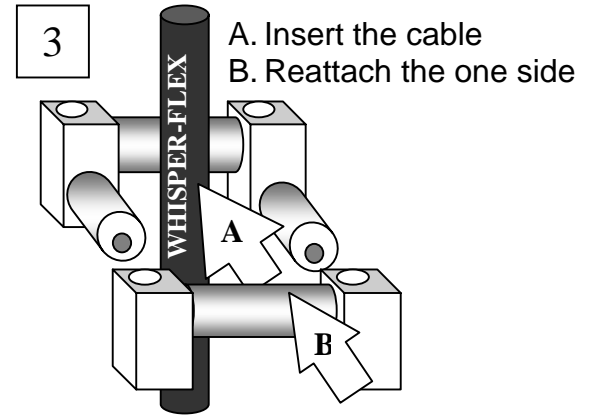


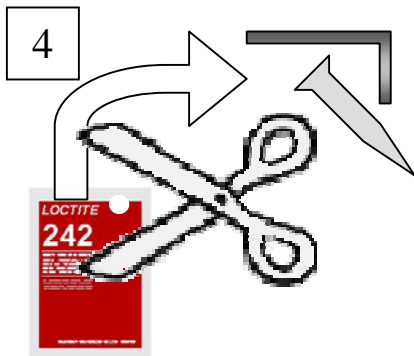
1 Cut the cable tie



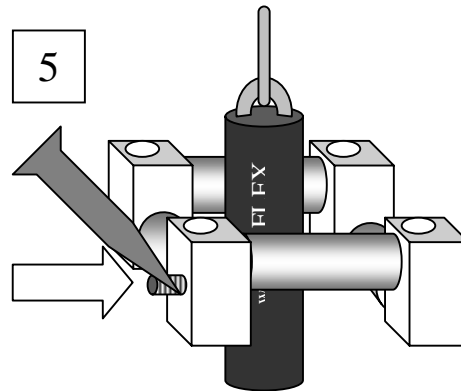
2 A. Remove one side  
B. Release the bag



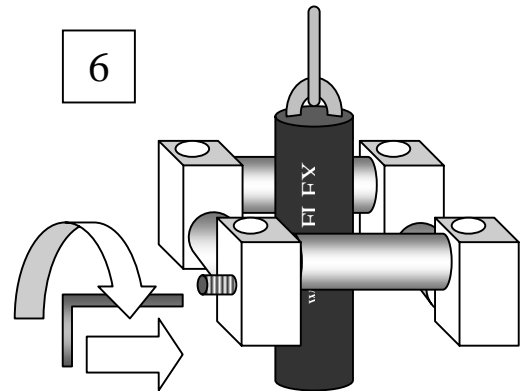
3 A. Insert the cable  
B. Reattach the one side



4 Open the bag &  
Remove its contents



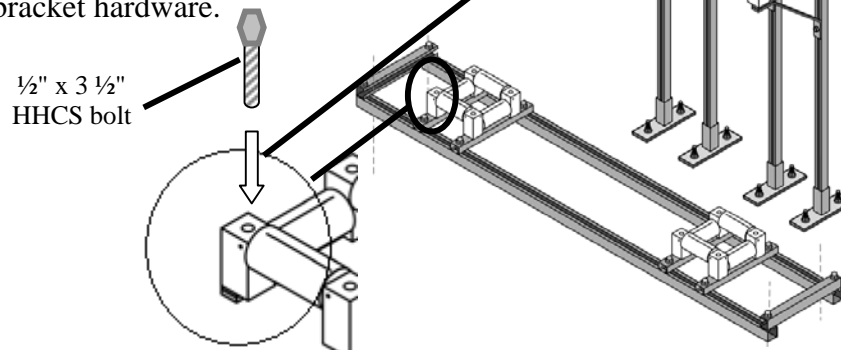
5 Apply the Loctite to the setscrew



6 Tighten the setscrew  
Repeat Steps 5 and 6 for each of the  
seven (7) remaining setscrews

### ATTACHING THE DEVICE TO MOUNTING BRACKETS:

Use 1/2" x 3 1/2" Hex Head Cap Screws through each of the four corner posts. Hex Head Cap Screws are included with the appropriate mounting bracket hardware.



**NOTE:** Follow the appropriate Mounting Bracket Installation Procedure for Super SwayLess device installation. Mounting Bracket instruction sheet recommends the appropriate Super SwayLess device height in reference to the Whisper-Flex Compensating Cable loop.

DEP-WFRDD2/001

Draka Elevator Products and the Draka Globe Design are trademarks of Draka Elevator Products, Inc.

© Draka Elevator Products, Inc.  
All Rights Reserved  
July 2004

Draka Elevator Products, Inc.  
2151 North Church Street  
P.O. Box 400  
Rocky Mount, NC 27804  
252-972-6000  
877-DRAKA-EP (877-372-5237)  
Fax: 252.972.6001